

A

B

C

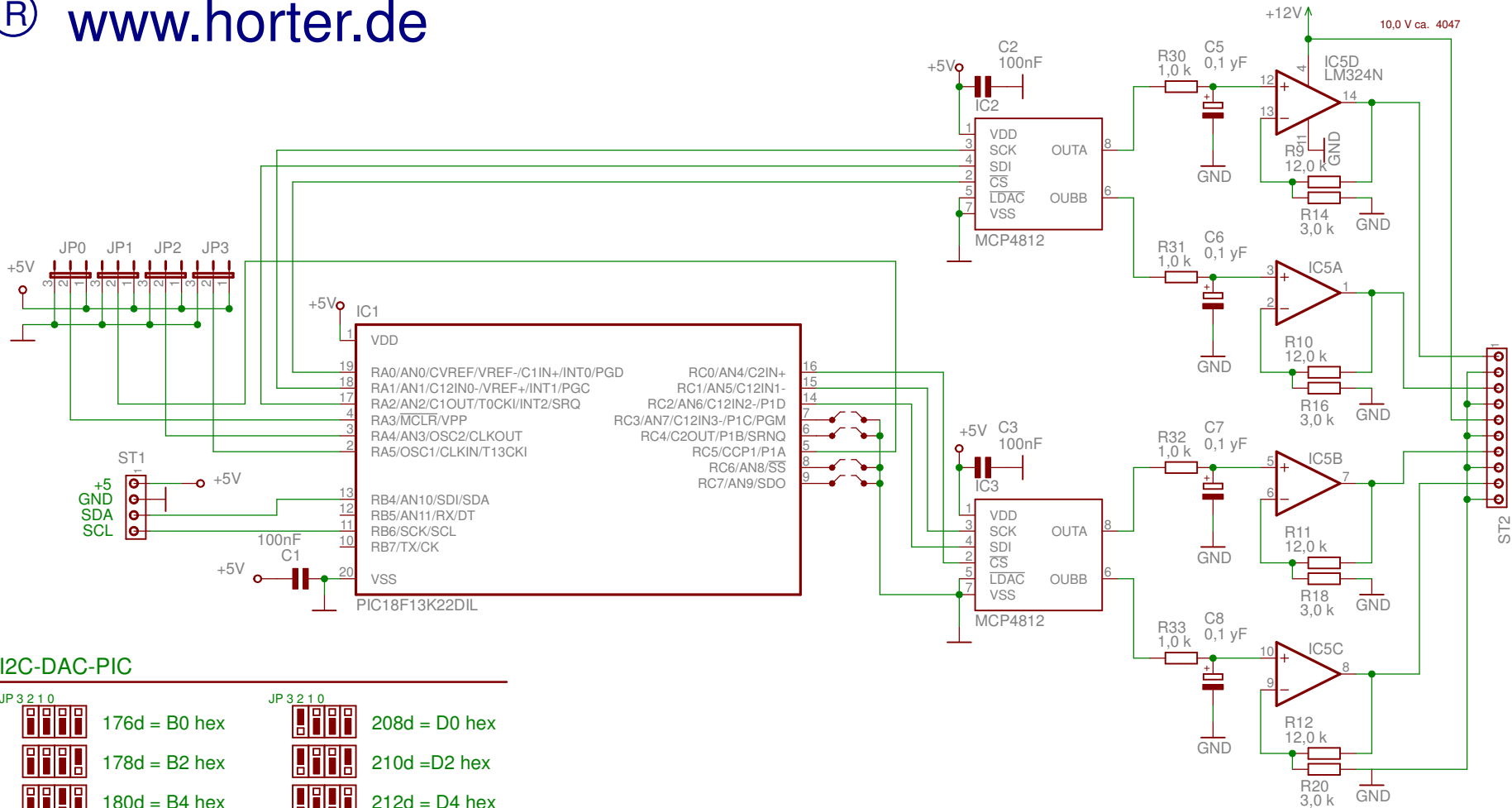
D

A

B

C

D



I2C-DAC-PIC

JP 3 2 1 0

- 176d = B0 hex
- 178d = B2 hex
- 180d = B4 hex
- 182d = B6 hex
- 184d = B8 hex
- 186d = BA hex
- 188d = BC hex
- 190d = BE hex

JP 3 2 1 0

- 208d = D0 hex
- 210d = D2 hex
- 212d = D4 hex
- 214d = D6 hex
- 216d = D8 hex
- 218d = DA hex
- 220d = DC hex
- 222d = DE hex