

V24-TTY-PASSIVE

1. Introduction

The passive RS232-TTY converter (SWA-FG) makes the communication possible for your PC with equipment, this one 20 disposes Pa interface of one, e.g. SIEMENS SIMATIC S5 SPS controls.

The serial transducer is used in a complete system. For this reason the norms applying to respective use case are from technician, user and fitter to observe safety and accident prevention regulations absolutely. The operator is responsible for the compliance with these regulations.

2. Function

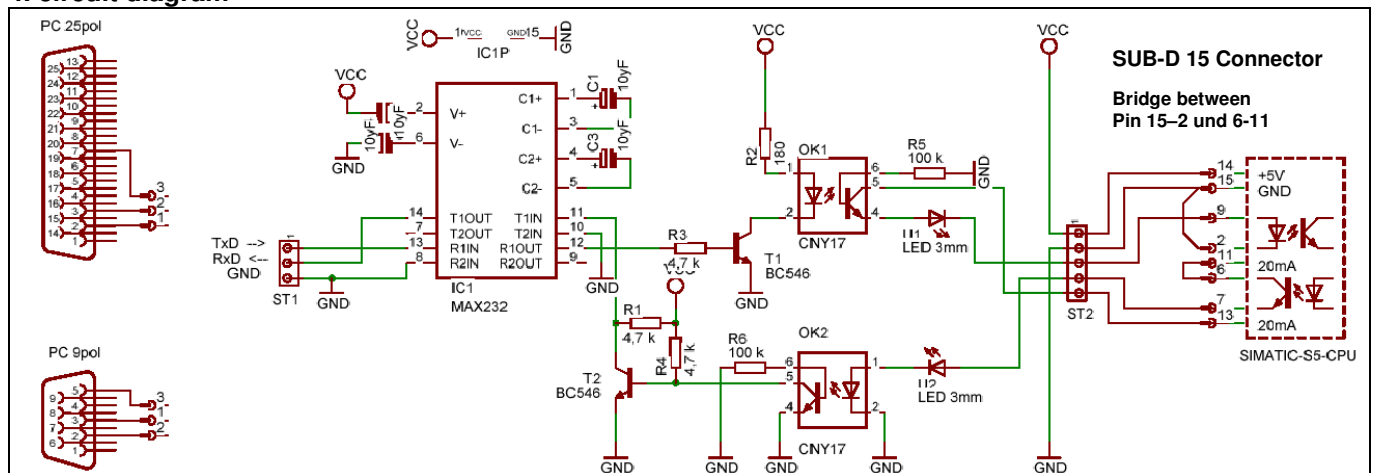
The converter realizes the V24 signals of the RS232 interface of your PC in line current signals (TTY). For the electronics in the converter a tension of 5 becomes V DC needs. Put this tension at the 15-pole programming interface at the pin 14 (+5 V for SIMATIC S5 CPUs) and at the pin 15 of (GND).

Furthermore is a 20 ever needs mA signal for the reading and writing direction. These current sources lie to the pin 11 and 13 and flow against mass (GND). Two optical coupling devices which two signal directions galvanically separate from the PC are internally built-in at our transducer. This offers optimal protection for your hardware.

3. Putting into operation

- Put the RS232-TTY converter on to the SIMATIC S5 CPU with the 15-pole plug. This is switched on the two LEDs shine in the case and signal current conduction.
- Put the 9-pole socket into a free RS232 interface at your PC now or use a suitable USB-RS232 adapter.
- The LEDs flash and signal a data connection with that as soon as you build up a connection with your programming software.

4. circuit diagram

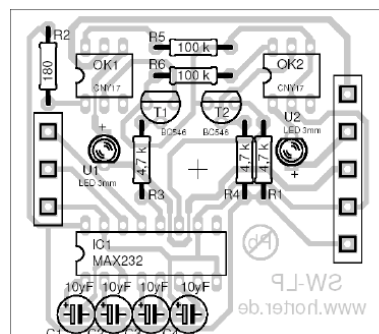


(Nearer information and download <http://www.horter.de/doku/>)

5. Face plan

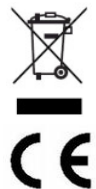
Connection to PC

25pol	9pol	PC-Seite	
2	3	TxD	→
3	2	RxD	←
7	5	GND	



15-pole S5-PLC

13	20 mA Quelle
7	-TxD
9	+RxD
2+15	GND
14	+5V
6] Bridge
11	



6. Technical data

- supply voltage from SIMATIC-CPU 5V / 30mA
- Case measurements 72 x 50 x 21 mm